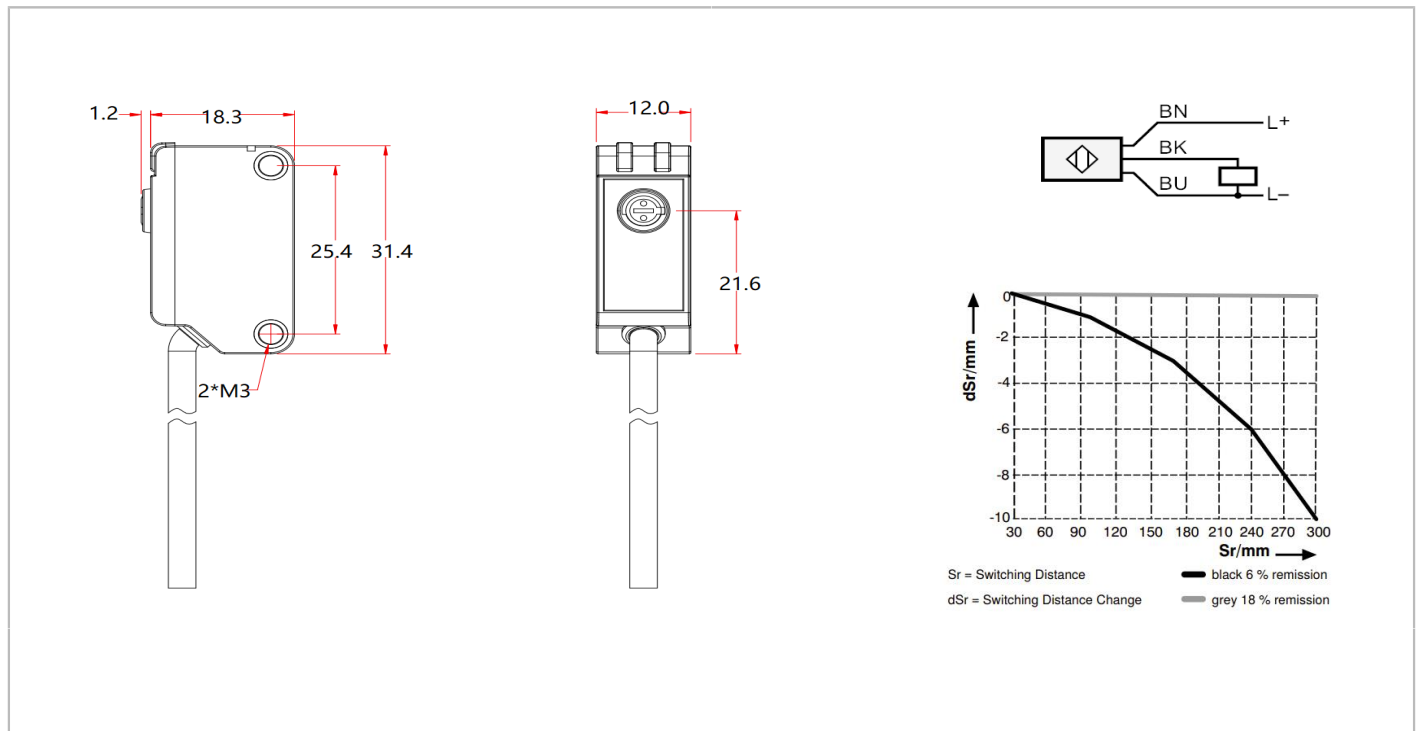


With Background Suppression



Product characteristics	
Type of light	Red Light
Range	20...300; (white paper 200 x 200 mm)
Dimensions [mm]	31.4 x 12 x 18.3
Application	
Special feature	Background suppression
Function principle	Diffuse reflection sensor
Application	suited for use in the machine tool industry
Electrical data	
Operating voltage [V]	10...30 DC
Electrical design	PNP NO/NC
Protection	IP 67
Max. voltage drop switching output	2.5 DC
Switching frequency	1000 Hz
Switching Hysteresis	< 5%
Service Life	100000 h
Lens material	PMMA
Connection	Cable: 2 m, PUR; 3 x 0.25 mm ²

Table 1

Detection Range	30 mm	130 mm	300 mm
Light Spot Diameter	8 mm	7 mm	18 mm